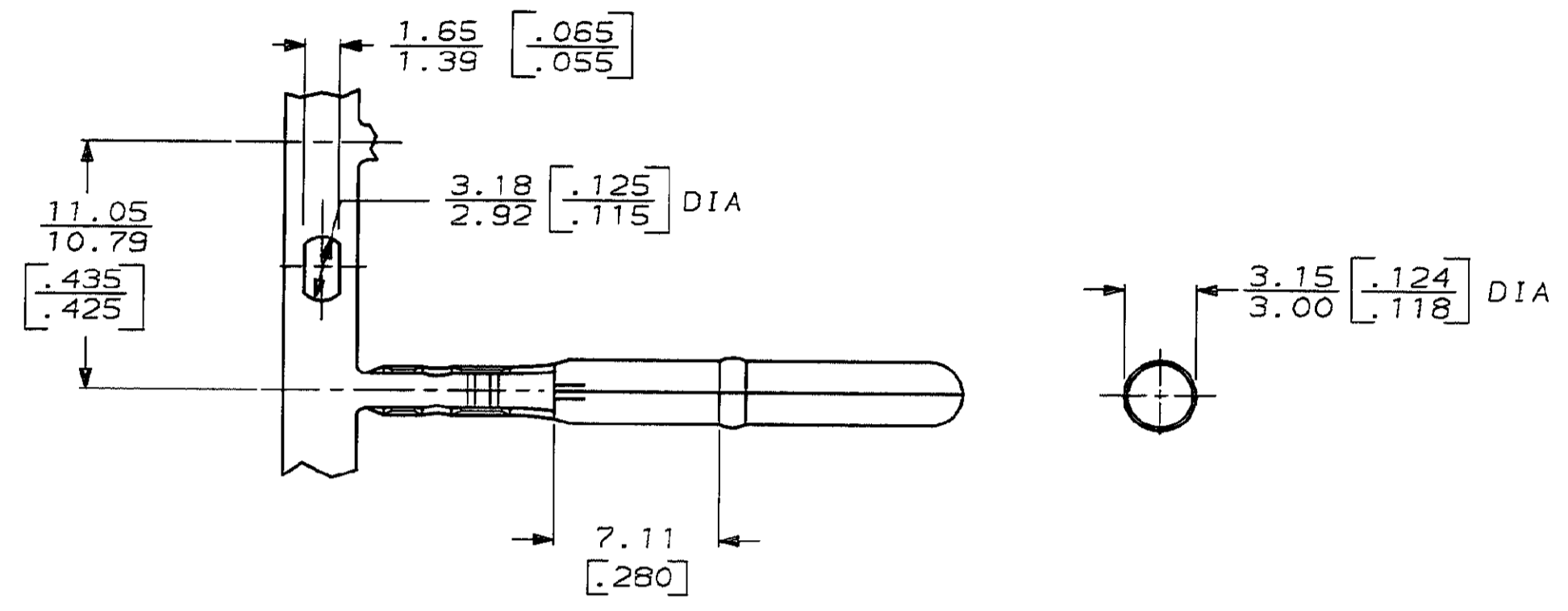
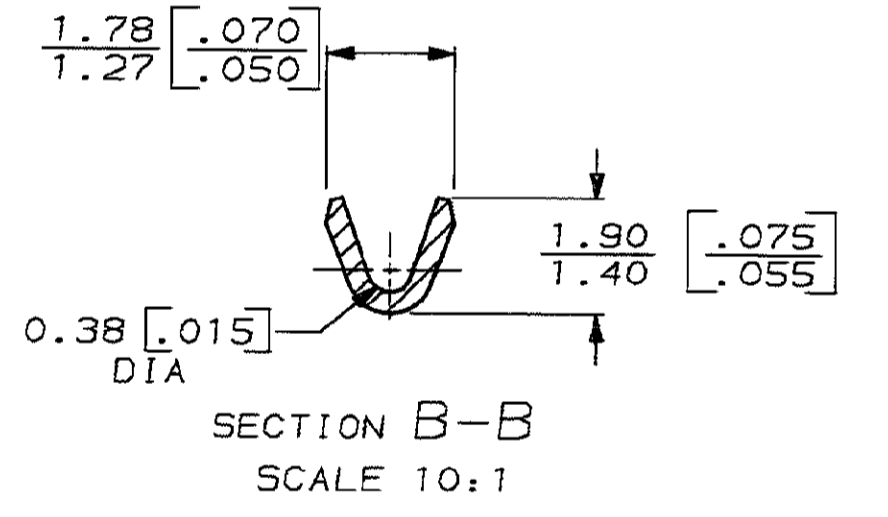
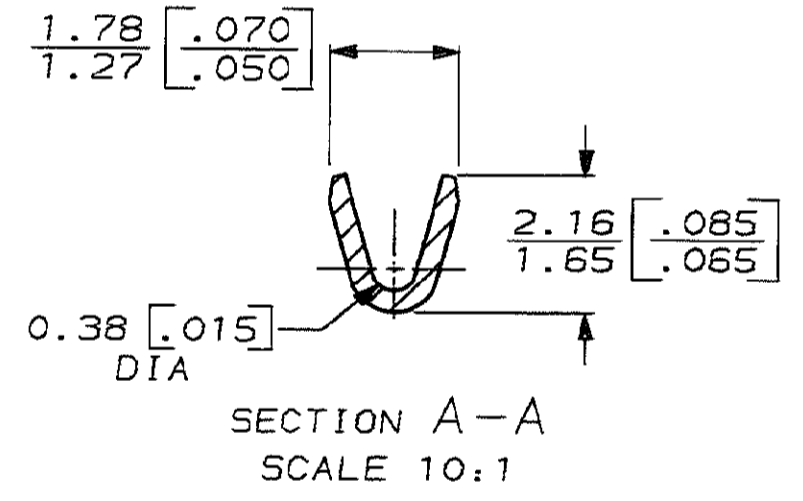
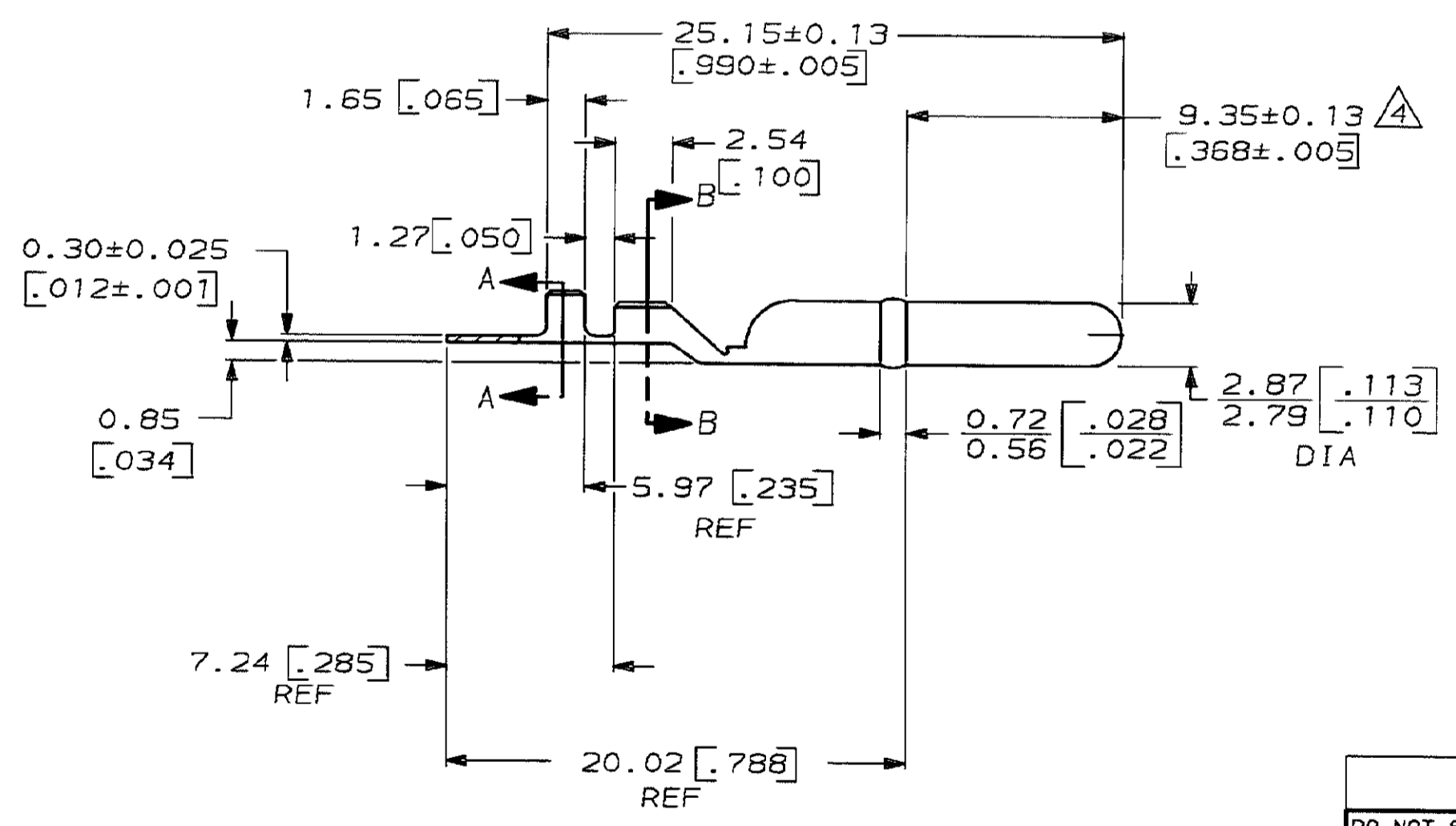


| LOC | DIST | P | F | ZONE | LTR | DESCRIPTION | DATE | APPD |
|-----|------|---|---|------|-----|-----------------|---------|-------|
| AF | 50 | | | | E | REV PER 0190-93 | 6/22/93 | PF/GY |



- 1 CONTINUOUS STRIP ON REELS
- 2 DIMENSIONS IN BRACKETS ARE IN INCHES
- 3 SEAM OPENING TO BE 0.076 [0.003] MAX OVER ENTIRE LENGTH OF PIN
- 4 2.79-2.87 [0.110-0.113] DIA APPLIES OVER THIS LENGTH
- 5 PARTS MUST MEET 90° BEND TOWARDS SEAM ON MATING PIN SIDE OF 0.72 [0.028] BEAD WITHOUT COMPLETELY BREAKING OFF



| METRIC | | | | | |
|--------------------|--------------|--------------------|-------------------|--------------|-------------|
| F | 1.07 [0.042] | 3.56 [0.140] | F | 1.07 [0.042] | .81 [0.032] |
| | | | | | .72 [0.030] |
| | | | | | .74 [0.029] |
| TYPE | WIDTH | STRIP LENGTH ±.015 | TYPE | WIDTH | HEIGHT |
| INSUL BARREL CRIMP | | | WIRE BARREL CRIMP | | WIRE |

| | | | | | |
|--|--|--|---------------|---|--|
| 1.15-0.63 [0.045-.025] | | 0.05-0.12mm ² [30-26] | | 63493-1 | |
| INSULATION RANGE | | WIRE SIZE | | PART NO | |
| DO NOT SCALE PRINT. UNLESS SPECIFIED DIMENSIONS IN INCHES TOLERANCES ON : 2 PLC DEC ± - 3 PLC DEC ± 0.25 [0.010] ANGLES ± - | | DR 6/6/88 P FORTNEY CHK 6/9/88 MS FEHER APPD 6/9/88 D DECKER APPD 6/9/88 TL SHUTTER PRODUCT SPEC | | AMP AMP INCORPORATED Harrisburg, Pa. 17105 | |
| MATERIAL #2 HARD BRASS | | FINISH PRE-TIN | | NAME .112 DIA PIN | |
| APPLICATION SPEC | | SIZE C | FSCM NO 00779 | DRAWING NO 63493 | |
| WEIGHT | | SCALE 4:1 | SHEET 1 OF 1 | | |